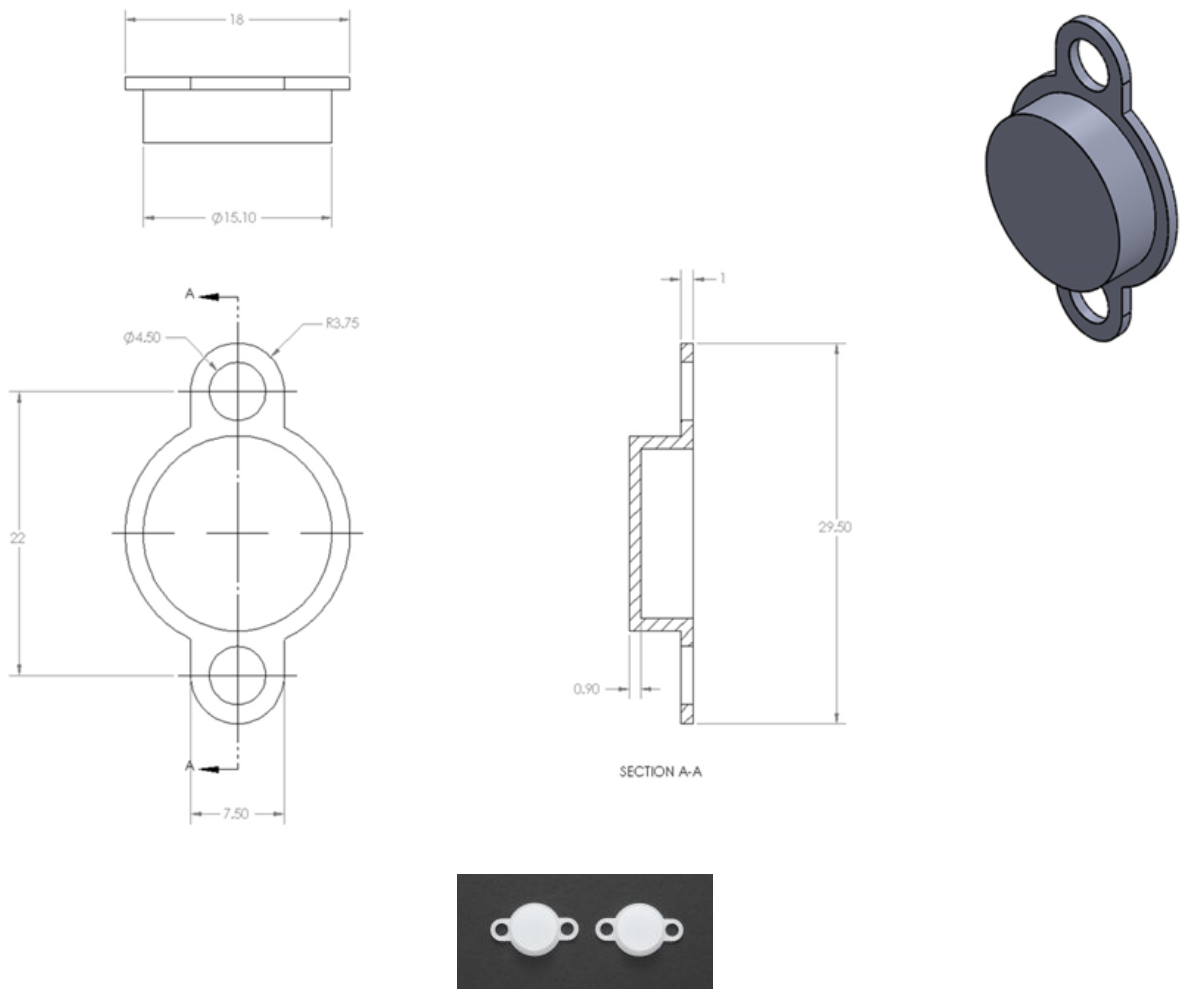


FIR00-03 for TMOS EVK

(Protection CAP)

This document specifies TMOS sensor STHS34PF80 from STMicroelectronics and Lens FIR00-03 from Fresnel Factory Inc.

1. Dimension of PF63-10

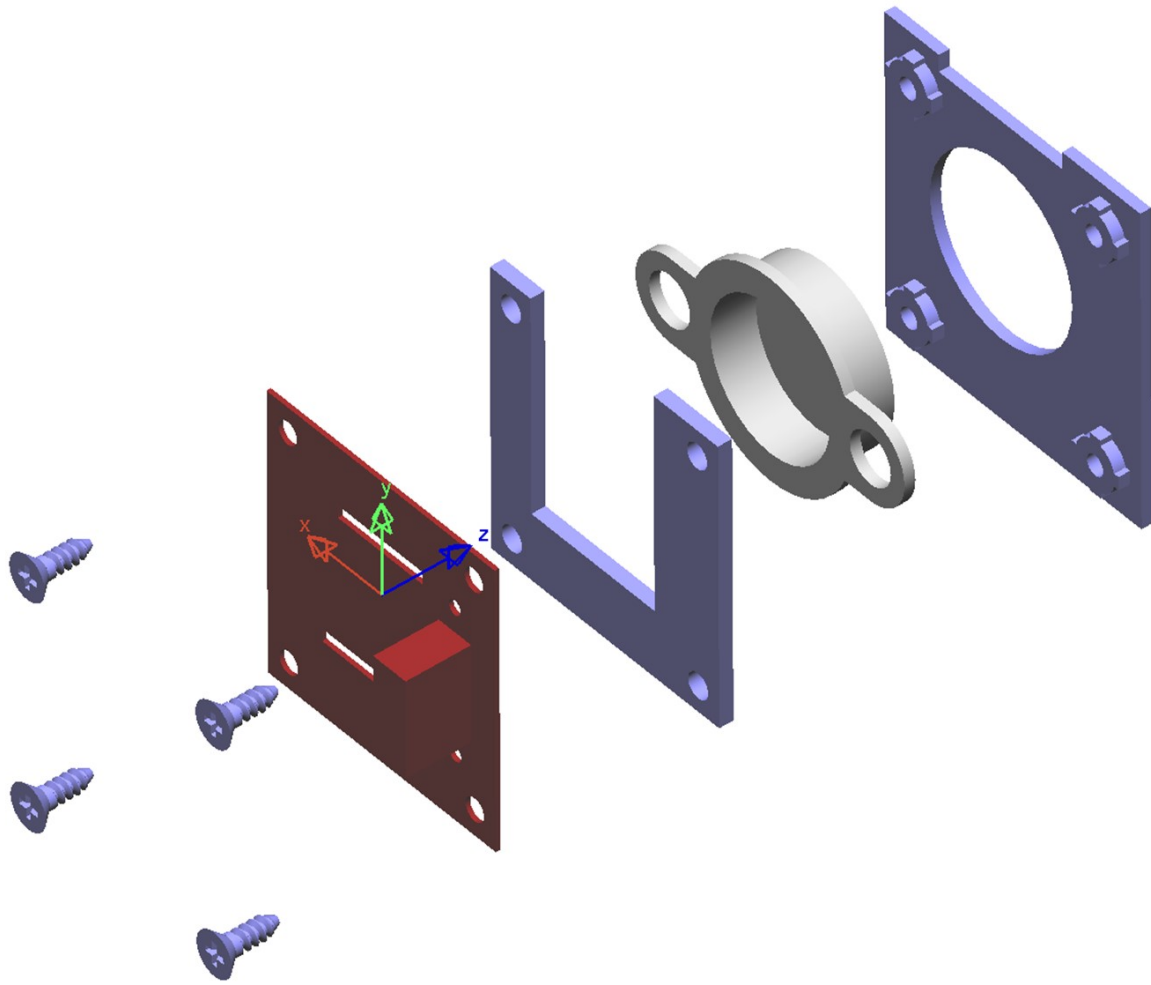


2. Housing for EVK with Back Connector

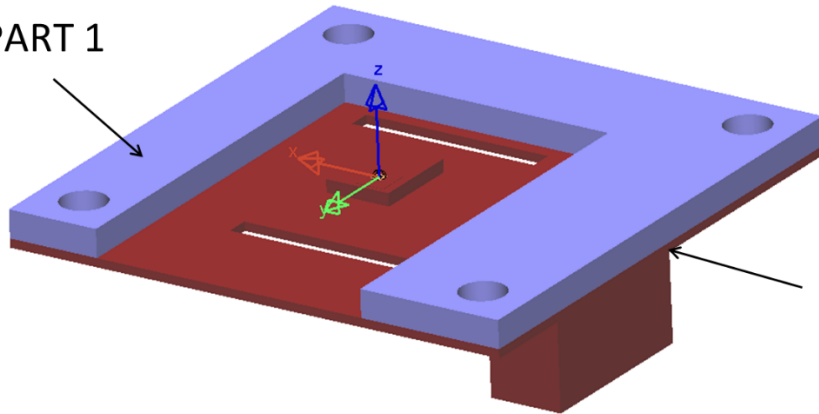
Please download 3D STP file for 3D printing in link below.

| | |
|--|---|
| Part 1 https://url.kr/3u17iv | Part 2 https://url.kr/e53lsn |
|  |  |

Fastened by 4 Philips self-tapping Screws M2x6

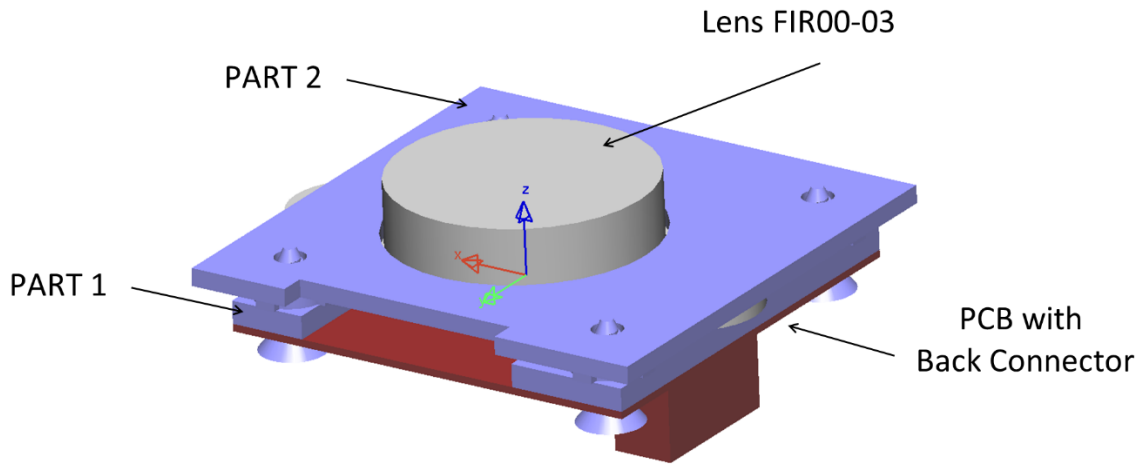


PART 1



PCB with
Back Connector

ASSEMBLED HOUSING



- Contact
Fresnel Factory Inc.
Ashton Myung KIM
ashton@fresnelfactory.com
+82 10-5248-4630